

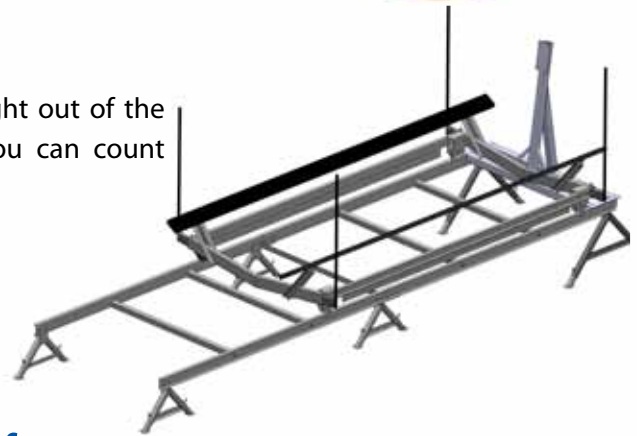
Marine, Railway & Roller Ramps DESIGNER SERIES



Marine Railway - **Keep your boat safe on land**

Perfect when you want the peace of mind knowing your boat is right out of the water. Built with galvanized steel and stainless steel hardware, you can count on our marine railways to be there year after year.

- Manual & electric winch packages available
- Adjustable stands to handle changes in elevation
- 4000 & 6000 lb capacities



Roller Ramps - **An Inexpensive Alternative for small craft**

Roller Ramps are constructed using marine grade aluminum and heavy duty rubber rollers. Placed easily at the edge of the water, a roller ramp is the perfect fit for smaller boats.

- Capacities up to 1500 lbs
- Additional 10' sections for added length



Keel Rollers - **Rest on shore or directly on your dock**

Keel Rollers come in 8' and 10' lengths constructed from marine grade aluminum and heavy duty rubber rollers.

Single and double roller designs are also available. They can be attached directly on to your dock.



Scan for more pictures



Marine, Railway & Roller Ramps Designer Series



Marine Railways

Model			MR4000		MR6000	
Capacity			4000 lbs		6000 lbs	
Item	Description	SKU	Price	SKU	Price	
Base Unit	Includes Carriage & 30' of track.	38-114	2,399	38-659	3,549	
Additional Track	10' Steel Sections (8' aluminum sections available for same price).	38-138	309	38-921	439	
Free Spanning Section	Single 20' Steel Sections	38-490	1,099	38-979	1,549	
Manual Winch	3500 lb capacities	44-387	399.99			
Electric Winch	1HP	37-208	1,799			
	1.5HP			37-168	2,199	
2 Way Winch Option	Contains pulley that allows you to winch your boat into the water as well as out. Great for flat land installations.	37-394	1,549	37-394	1,549	
Galvanized Cable	3/16" (4000 lb models)	74-336	0.69/ft			
	5/16" (6000 lb models)			74-315	0.99/ft	
Stainless Steel Cable	3/16" (4000 lb models)	68-336	1.99/ft			
	5/16" (6000 lb models)			68-267	3.99/ft	
Track Support Stands (2pk)	Supports track where terrain is uneven.	0"-2'	38-975	209/pkg	38-139	229/pkg
		2'-4'	38-415	219/pkg	38-978	259/pkg
		4'+	38-479	239/pkg	38-935	289/pkg
Patio Stones	Supports for track and stands.	89-685	7.49	89-685	7.25	
Stacking Pads	Stackable Concrete pads. Great for Leveling Marine Railway	89-997	12.49	89-685	12.49	

Roller Ramps

12' Roller Ramp - 600 lb capacity	12' Aluminum frame, rollers, manual winch & strap	42-527	999.00
16' Roller Ramp - 1000 lb capacity	16' Aluminum frame, rollers, manual winch & strap	42-361	1,349.00
20' Roller Ramp - 1500 lb capacity	20' Aluminum frame, rollers, manual winch & strap	42-423	1,999.00
10' Roller Ramp Extension	10' Aluminum frame & rollers	42-896	549.00
Levelling Legs for Roller Ramp (2pk)	Includes two leg holders & two - 4' poles.	41-555	189.00/pkg

Roller Ramps

8' Keel Roller	8' Aluminum frame with 4-12" rollers. Ideal for canoes, kayaks & small boats	42-327	425.00
10' Keel Roller	10' Aluminum frame with 5-12" rollers. Ideal for canoes, kayaks & small boats	42-367	469.00
12" Keel Roller w/Mounting Brackets	Ideal for getting small craft out of the water. 12" V-shaped roller will help guide your boat exactly where you want it to go.	44-836	39.99
12" Double Keel Roller w/Mounting Brackets	Mounts to the edge of a dock making the rollers closer to the water and easier to use.	44-236	74.99
18" Keel Roller w/ Mounting Brackets	Wider Roller is designed to support larger boats.	44-859	64.99



On the
Water
Designs

1490 Hwy 11 North, Kilworthy, ON Canada P0E 1G0
Tel: 1-705-689-0884 / Toll Free: 1-866-477-0177
Fax: 1-705-689-5742
info@onthewaterdesigns.com / www.onthewaterdesigns.com

All prices are unassembled. Assembly is available at 5% of total cost. Delivery & Installation are available through one of our professional contract installation crews. Delivery is \$110.00/HR (1 Way). Installation is approximately 13%. Additional costs may apply based on specific requirements. All prices are subject to change without notice.